

## PCI/PCIe Gen2 Expansion System



The Adnaco-S1A PCI/PCIe Gen2 Expansion System allows system integrators to operate 2 PCI and 2 PCIe add-in cards over fiber optic cable at distances up to 250 meters from the location of the computer system. No additional host software drivers are required during installation or operation. Any type of PCI and PCI Express cards can be used including audio, video, graphics, USB, FireWire, SATA, data-acquisition, network and others. The system consists of a PCIe host adapter, a fiber optic cable and an expansion chassis.

### Product Features:

- Host adapter can be installed into any PCIe slot
- 2.5 Gb/s or 5 Gb/s PCIe communication
- 2 PCI and 2 PCIe add-in cards can operate simultaneously in expansion chassis
- Auto power on/off
- Compact thermally advantaged chassis
- 300W power supply, SFX12V 3.0 complaint, active PFC, universal input
- Host processor and OS independent
- Optical isolation
- Cable length up to 250 meters
- SFP transceivers with LC connectors

## Specifications: Adnaco-S2A PCI/PCIe Expansion System

Product Name	Adnaco-S2A
Host card	Adnaco-H1A
Expansion chassis	Adnaco-C2A
Fiber optic cable	LC-LC, Multi-mode, Duplex, 50/125 $\mu$ m, 10 m or 50 m
Communication	One full duplex 2.5 Gb/s or 5.0 Gb/s link over fiber optic cable
Software	Transparent to software applications and drivers

## Expansion Chassis Specifications

Product Name	Adnaco-C2A
Backplane	Adnaco-R1BP1A Two 2.5 Gb/s or 5.0 Gb/s PCIe x16 (electrical x1) connectors Two 32 bit, 33 MHz or 66 MHz, 5.0 V or 3.3 V PCI connectors
Physical Dimensions	136 mm W x 370 mm D x 329 mm H ( 5.3"W x 14.5"D x 12.9"H )
Material	Steel chassis, flame retardant plastic parts
Drive Bays	1 - 5.25" CD-ROM 2 - 3.5"(1") HDD
System Cooling	One power supply fan Two rear-mount 60mm fans (one optional)
Power Supply	SFX12V 3.0 complaint, active PFC, universal input INPUT Input Range        90..264VAC Frequency         47..63Hz Input Current      <6A @ 90VAC Efficiency         >70% @ 115/230VAC OUTPUT Maximum Power 300W +3.3 V            18.0 A +5.0 V            18.0 A +12.0 V          11.0 A -12.0 V          0.4 A
Operating Environment	Temperature: 0° C to +55° C Relative Humidity: 10 to 85%, non-condensing
Storage Environment	Temperature: -40° C to +70° C Relative Humidity: 5 to 85%, non-condensing
Regulatory Compliance	FCC class B, ICES-003 class B, CE
Weight	6.1 kg (13.4 lb)

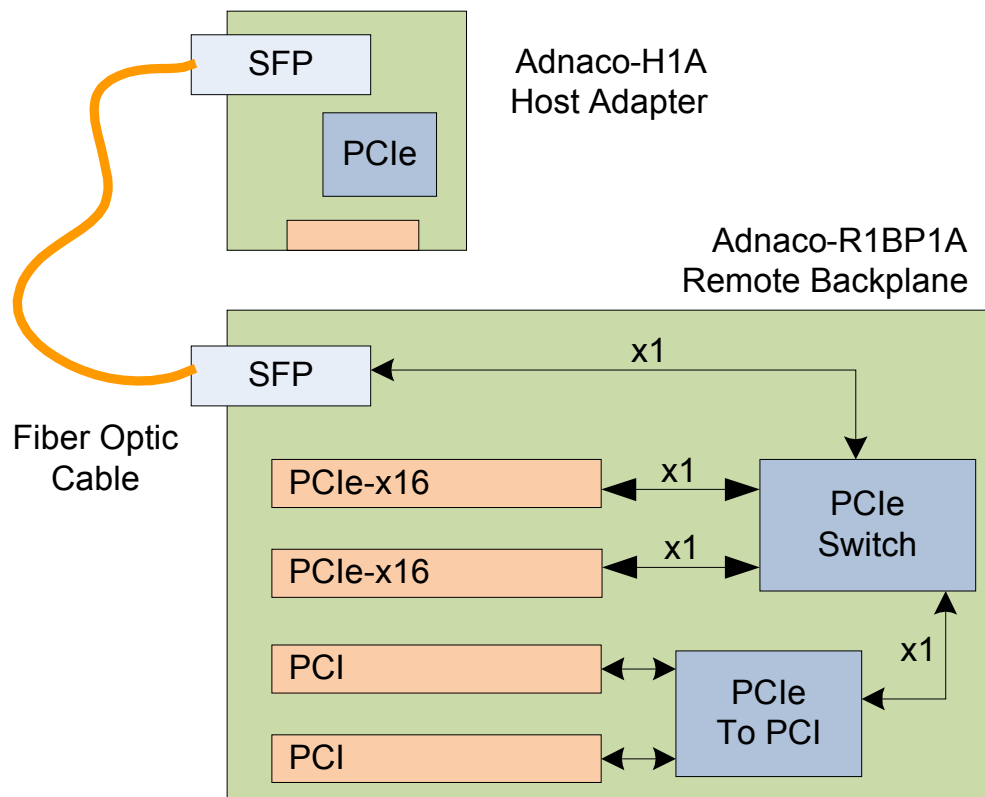
## Ordering Information

Part Number	Contents
Adnaco-S2A-01-10	PCI/PCIe Gen2 Expansion System with 10 m fiber optic cable Parts: Adnaco-H1A-01, Adnaco-C2A, Adnaco-FC1-01-10
Adnaco-S2A-01-50	PCI/PCIe Gen2 Expansion System with 50 m fiber optic cable Parts: Adnaco-H1A-01, Adnaco-C2A, Adnaco-FC1-01-50

## Related Documents and Products:

Adnaco-H1A	PCIe Gen2 Host Adapter Data Sheet
Adnaco-R1BP1A	Adnaco-R1BP1A PCI/PCIe Gen2 Expansion Backplane Data Sheet
Adnaco-Sirius-R1TK-UG	PCI Express Extension Over Fiber Optic Test Kit User's Guide

## System Block Diagram



© 2006-2011 Adnaco Technology Inc. All rights reserved. **Adnaco™** is a trademark of Adnaco Technology. Other product and company names listed are trademarks or trade names of their respective companies. Adnaco Technology may make changes to specifications and product descriptions at any time, without notice.